

**ΒΑΡΔΑΛΟΣ Ηλίας**

Position: PG

Age/ Birth Date

Body and Testing Measurements:

Height:	1.92 m	Non-step vertical Jump:	0.60 m
Weight:	81.7 kgr	Max vertical Jump:	0.74 m
Wingspan:	1.95 m	Jumping Reach Height:	3.22 m
Max Reach Height:	2.48 m	Speed 28m:	
		Παλίνδρομο:	



Games Played:	13
Participation:	455 min
Average:	35 per game

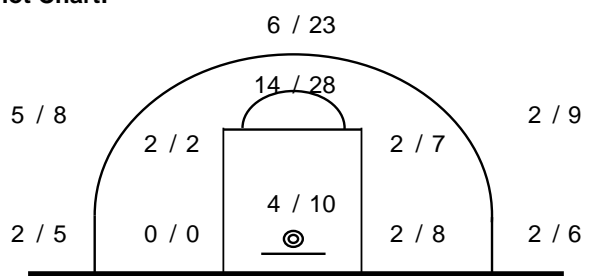
Shooting Skills:

Free Throws:	30 / 45	- 66.7%
2-points:	37 / 71	- 52.1%
3-points:	17 / 51	- 33.3%
Points:	155 - 11.9 per game	

Defensive Rebs:	44	- 3.4 per game
Offensive Rebs:	9	- 0.7 per game
Total:	53 - 4.1 per game	

Assists:	45
Steals:	31
Blocks:	3

Fouls Won:	45
Fouls Committed:	38

Shot Chart:

Drives: # / 16

Total Turnovers:	29
+/- :	-20

Notable Stats:**e-stats plus:**



ΓΚΟΥΜΑΣ Νικόλαος

Position: SF
Age/ Birth Date 18/ 15 Μάιος 1996

Body and Testing Measurements:

Height: 1.90 m Non-step vertical Jump: 0.56 m
Weight: 88.0 kgr Max vertical Jump: 0.66 m
Wingspan: 1.90 m Jumping Reach Height: 3.13 m
Max Reach Height: 2.47 m Spreed 28m: 4,17"
Παλίνδρομο: 28,42"



Games Played: 0
Participation: 0 min
Average: ### per game

Shooting Skills:

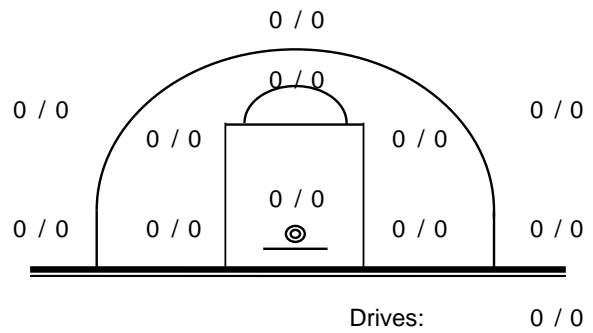
Free Throws: 0 / 0 - #ΔΙΑΙΠ./0!
2-points: 0 / 0 - #ΔΙΑΙΠ./0!
3-points: 0 / 0 - #ΔΙΑΙΠ./0!
Points: 0 - ### per game

Defensive Rebs: 0 - ### per game
Offensive Rebs: 0 - ### per game
Total: 0 - ### per game

Assists: 0
Steals: 0
Blocks: 0

Fouls Won: 0
Fouls Committed: 0

Shot Chart:



Total Turnovers: 0
+/- : 0

Notable Stats:

e-stats plus:





ΚΑΛΟΥΔΗΣ Πέτρος

Position: PG
Age/ Birth Date 24/ 16 Σεπτέμβριος 1991

Body and Testing Measurements:

Height: 1.82 m Non-step vertical Jump: 0.57 m
Weight: 80.4 kgr Max vertical Jump: 0.62 m
Wingspan: 1.84 m Jumping Reach Height: 2.95 m
Max Reach Height: 2.33 m Spreed 28m: 4,32"
Παλίνδρομο: 27,45"



Games Played: 13
Participation: 350 min
Average: 27 per game

Shooting Skills:

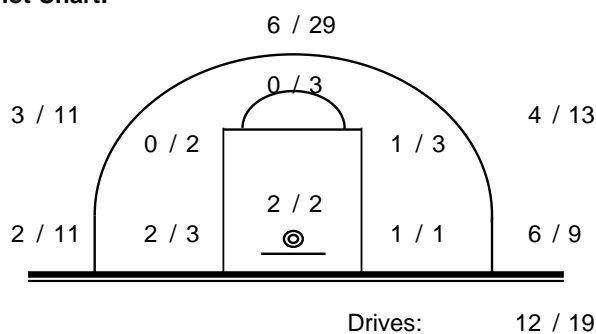
Free Throws: 13 / 22 - 59.1%
2-points: 18 / 33 - 54.5%
3-points: 21 / 73 - 28.8%
Points: 112 - 8.6 per game

Defensive Rebs: 25 - 1.9 per game
Offensive Rebs: 9 - 0.7 per game
Total: 34 - 2.6 per game

Assists: 25
Steals: 11
Blocks: 0

Fouls Won: 32
Fouls Committed: 20

Shot Chart:



Total Turnovers: 26
+/- : 11

Notable Stats:

e-stats plus:



ΜΗΤΡΟΠΟΥΛΟΣ Χρήστος

Position: PG

Age/ Birth Date

Photo

Body and Testing Measurements:

Height: 1.78 m Non-step vertical Jump: 0.68 m

Weight: 78.5 kgr Max vertical Jump: 0.74 m

Wingspan: 1.82 m Jumping Reach Height: 3.03 m

Max Reach Height: 2.29 m Spreed 28m:

Παλίνδρομο:



Games Played: 3
 Participation: 5 min
 Average: 1.7 per game

Shooting Skills:

Free Throws: 0 / 0 - #ΔΙΑΙΠ./0!

2-points: 0 / 0 - #ΔΙΑΙΠ./0!

3-points: 0 / 1 - 0.0%

Points: 0 - 0.0 per game

Defensive Rebs: 0 - 0 per game

Offensive Rebs: 0 - 0 per game

Total: 0 - 0 per game

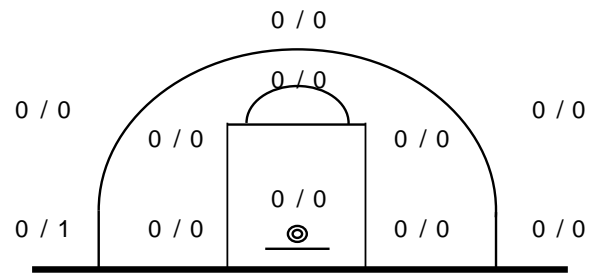
Assists: 0

Steals: 0

Blocks: 0

Fouls Won: 0

Fouls Committed: 0

Shot Chart:

Drives: 0 / 0

Total Turnovers: 0

+/- : 1

Notable Stats:**e-stats plus:**

**ΜΠΙΡΜΠΑΣ Νεκτάριος**

Position: SF/PF
 Age/ Birth Date 26/ 4 Μάιος 1988

Body and Testing Measurements:

Height: 1.90 m Non-step vertical Jump: 0.73 m
 Weight: 91.8 kgr Max vertical Jump: 0.76 m
 Wingspan: 1.98 m Jumping Reach Height: 3.23 m
 Max Reach Height: 2.47 m Spreed 28m: 3,96"
 Παλίνδρομο: 25,98"



Games Played: 13
 Participation: 443 min
 Average: 34 per game

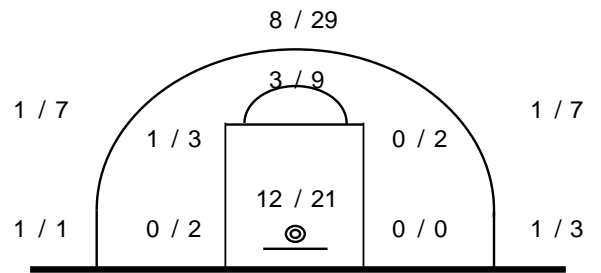
Shooting Skills:

Free Throws: 29 / 48 - 60.4%
 2-points: 37 / 80 - 46.3%
 3-points: 12 / 47 - 25.5%
Points: 139 - 10.7 per game

Defensive Rebs: 63 - 4.8 per game
 Offensive Rebs: 9 - 0.7 per game
Total: 72 - 5.5 per game

Assists: 34
 Steals: 25
 Blocks: 13

Fouls Won: 48
 Fouls Committed: 40

Shot Chart:

Drives: 21 / 43

Total Turnovers: 30
 +/- : -63

Notable Stats:**e-stats plus:**

Photo

ΛΑΓΙΟΠΟΥΛΟΣ Δημήτρης

Position: G

Age/ Birth Date

Body and Testing Measurements:

Height:	1.90 m	Non-step vertical Jump:	m
Weight:	91.8 kgr	Max vertical Jump:	m
Wingspan:	1.98 m	Jumping Reach Height:	m
Max Reach Height:	2.47 m	Speed 28m:	
		Παλίνδρομο:	



Games Played:	13
Participation:	255 min
Average:	20 per game

Shooting Skills:

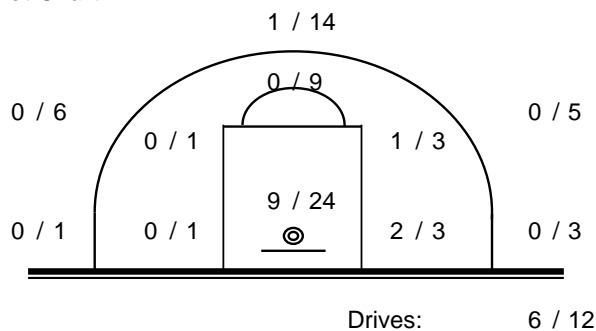
Free Throws:	26 / 37 - 70.3%
2-points:	18 / 53 - 34.0%
3-points:	1 / 29 - 3.4%
Points:	65 - 5.0 per game

Defensive Rebs:	28 - 2.2 per game
Offensive Rebs:	28 - 2.2 per game
Total:	56 - 4.3 per game

Assists:	6
Steals:	8
Blocks:	1

Fouls Won:	33
Fouls Committed:	29

Shot Chart:



Total Turnovers:	18
+/- :	-16

Notable Stats:

e-stats plus:



**ΒΕΛΙΣΣΑΡΑΚΟΣ Ιωάννης**

Position: PG-G

Age/ Birth Date 27/ 29 Νοέμβριος 1986

Body and Testing Measurements:

Height:	1.85 m	Non-step vertical Jump:	0.62 m
Weight:	82.3 kgr	Max vertical Jump:	0.75 m
Wingspan:	1.97 m	Jumping Reach Height:	3.23 m
Max Reach Height:	2.48 m	Spreed 28m:	3,81"
		Παλίνδρομο:	26,54"



Games Played:	11
Participation:	145 min
Average:	13 per game

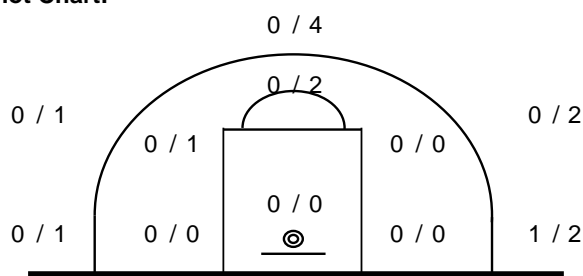
Shooting Skills:

Free Throws:	3 / 6	- 50.0%
2-points:	6 / 12	- 50.0%
3-points:	1 / 10	- 10.0%
Points:	18	- 1.6 per game

Defensive Rebs:	15	- 1.4 per game
Offensive Rebs:	2	- 0.2 per game
Total:	17	- 1.5 per game

Assists:	12
Steals:	6
Blocks:	1

Fouls Won:	9
Fouls Committed:	15

Shot Chart:

Drives: 6 / 9

Total Turnovers:	11
+/- :	-34

Notable Stats:**e-stats plus:**

**Π'ΘANASOΠOYΛOΣ Xp.**

Position: PF
 Age/ Birth Date 27/ 5 Ιούνιος 1989

Body and Testing Measurements:

Height: 1.96 m Non-step vertical Jump: 0.59 m
 Weight: 94.8 kgr Max vertical Jump: 0.65 m
 Wingspan: 2.03 m Jumping Reach Height: 3.19 m
 Max Reach Height: 2.54 m Spreed 28m: 4,33"
 Παλίνδρομο:



Games Played: 13
 Participation: 295 min
 Average: 23 per game

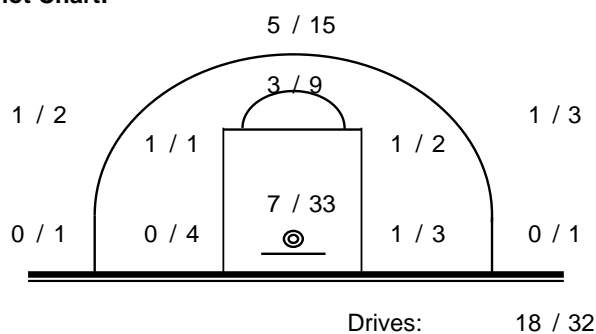
Shooting Skills:

Free Throws: 23 / 47 - 48.9%
 2-points: 31 / 84 - 36.9%
 3-points: 7 / 22 - 31.8%
Points: 106 - 8.2 per game

Defensive Rebs: 84 - 6.5 per game
 Offensive Rebs: 28 - 2.2 per game
Total: 112 - 8.6 per game

Assists: 21
 Steals: 10
 Blocks: 2

Fouls Won: 43
 Fouls Committed: 22

Shot Chart:

Total Turnovers: 22
 +/- : -27

Notable Stats:

e-stats plus:





ΣΑΜΑΡΤΖΗΣ Γεώργιος

Position: PF
Age/ Birth Date 22/ 26 Οκτώβριος 1992

Body and Testing Measurements:

Height: 2.00 m Non-step vertical Jump: 0.75 m
Weight: 83.3 kgr Max vertical Jump: 0.83 m
Wingspan: 1.97 m Jumping Reach Height: 3.37 m
Max Reach Height: 2.54 m Spreed 28m: 4,32"
Παλίνδρομο: 27,52"



Games Played: 5
Participation: 10 min
Average: 2 per game

Shooting Skills:

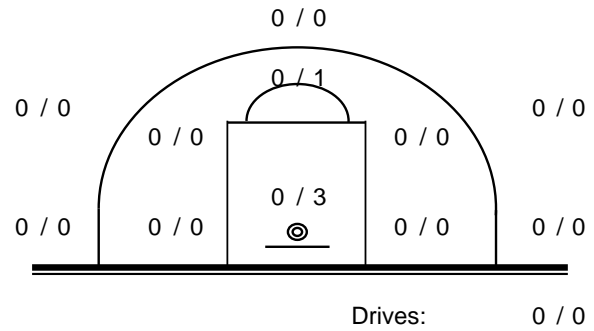
Free Throws: 0 / 2 - 0.0%
2-points: 0 / 4 - 0.0%
3-points: 0 / 0 - #ΔΙΑΠ./0!
Points: 0 - 0.0 per game

Defensive Rebs: 1 - 0.2 per game
Offensive Rebs: 3 - 0.6 per game
Total: 4 - 0.8 per game

Assists: 0
Steals: 0
Blocks: 1

Fouls Won: 1
Fouls Committed: 6

Shot Chart:



Total Turnovers: 0
+/- : -2

Notable Stats:

e-stats plus:



**ΑΛΕΞΑΝΔΡΑΚΗΣ Χαρ.**

Position: G
 Age/ Birth Date 22/ 27 Ιούλιος 1992

Body and Testing Measurements:

Height: 1.84 m Non-step vertical Jump: 0.64 m
 Weight: 81.5 kgr Max vertical Jump: 0.84 m
 Wingspan: 1.89 m Jumping Reach Height: 3.23 m
 Max Reach Height: 2.39 m Spreed 28m: 4,16"
 Παλίνδρομο: 27,06"



Games Played: 11
 Participation: 172 min
 Average: 16 per game

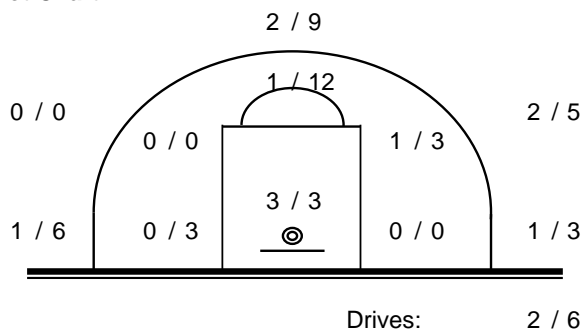
Shooting Skills:

Free Throws: 3 / 4 - 75.0%
 2-points: 7 / 27 - 25.9%
 3-points: 6 / 23 - 26.1%
Points: 35 - 3.2 per game

Defensive Rebs: 13 - 1.2 per game
 Offensive Rebs: 7 - 0.6 per game
Total: 20 - 1.8 per game

Assists: 10
 Steals: 8
 Blocks: 2

Fouls Won: 10
 Fouls Committed: 15

Shot Chart:

Total Turnovers: 13
 +/- : -23

Notable Stats:

e-stats plus:





ΑΝΑΓΝΩΣΤΟΥ Ηλίας

Position: C
 Age/ Birth Date: 22/ 26 Μάιος 1992

Body and Testing Measurements:

Height:	2.00 m	Non-step vertical Jump:	0.51 m
Weight:	101.8 kgr	Max vertical Jump:	0.69 m
Wingspan:	1.98 m	Jumping Reach Height:	3.29 m
Max Reach Height:	2.60 m	Speed 28m:	4,01"
		Παλίνδρομο:	28,54"



Games Played: 12
 Participation: 101 min
 Average: 8.4 per game

Shooting Skills:

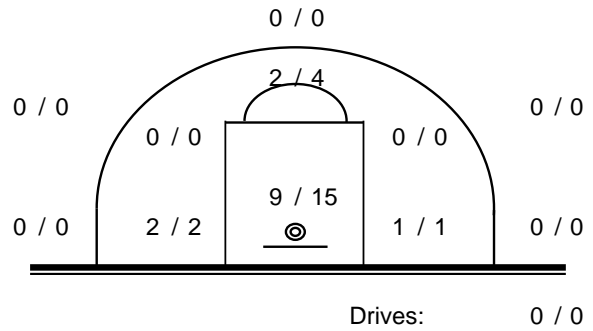
Free Throws: 3 / 9 - 33.3%
 2-points: 14 / 22 - 63.6%
 3-points: 0 / 0 - #ΔΙΑΙΠ./0!
Points: 31 - 2.6 per game

Defensive Rebs: 16 - 1.3 per game
 Offensive Rebs: 8 - 0.7 per game
Total: 24 - 2 per game

Assists: 1
 Steals: 3
 Blocks: 4

Fouls Won: 12
 Fouls Committed: 30

Shot Chart:



Total Turnovers: 8
 +/- : 6

Notable Stats:

e-stats plus:



ΤΑΓΑΡΗΣ Κων/νος

Position: C
Age/ Birth Date

Body and Testing Measurements:

Height:	2.05 m	Non-step vertical Jump:	0.55 m
Weight:	102.8 kgr	Max vertical Jump:	0.73 m
Wingspan:	2.10 m	Jumping Reach Height:	3.40 m
Max Reach Height:	2.67 m	Speed 28m:	4,52"
		Παλίνδρομο:	



Games Played:	13
Participation:	369 min
Average:	28 per game

Shooting Skills:

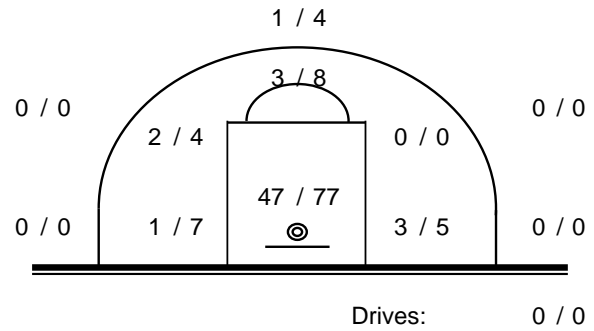
Free Throws:	36 / 55 - 65.5%
2-points:	56 / 101 - 55.4%
3-points:	1 / 4 - 25.0%
Points:	151 - 11.6 per game

Defensive Rebs:	59 - 4.5 per game
Offensive Rebs:	45 - 3.5 per game
Total:	104 - 8 per game

Assists:	4
Steals:	9
Blocks:	10

Fouls Won:	42
Fouls Committed:	42

Shot Chart:



Total Turnovers:	24
+/- :	-33

Notable Stats:

e-stats plus:





ΑΥΓΕΡΙΝΟΣ Χρήστος

Position: G
Age/ Birth Date 20/ 4 Φεβρουάριος 1994

Body and Testing Measurements:

Height: 1.78 m Non-step vertical Jump: 0.62 m
Weight: 67.4 kgr Max vertical Jump: 0.70 m
Wingspan: 1.78 m Jumping Reach Height: 2.96 m
Max Reach Height: 2.26 m Spreed 28m: 4,37"
Παλίνδρομο: 27,40"



Games Played: 0
Participation: 0 min
Average: ### per game

Shooting Skills:

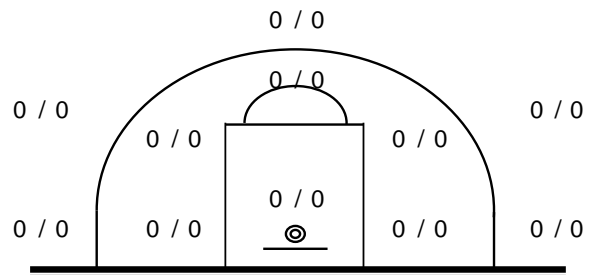
Free Throws: 0 / 0 - #ΔΙΑΙΠ./0!
2-points: 0 / 0 - #ΔΙΑΙΠ./0!
3-points: 0 / 0 - #ΔΙΑΙΠ./0!
Points: 0 - ### per game

Defensive Rebs: 0 - ### per game
Offensive Rebs: 0 - ### per game
Total: 0 - ### per game

Assists: 0
Steals: 0
Blocks: 0

Fouls Won: 0
Fouls Committed: 0

Shot Chart:



Drives: 0 / 0

Total Turnovers: 0
+/- : 0

Notable Stats:

e-stats plus:

